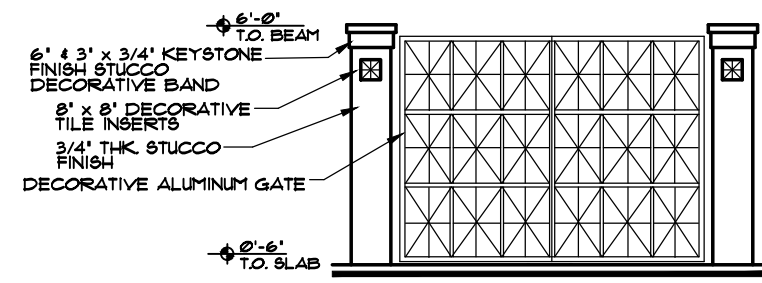
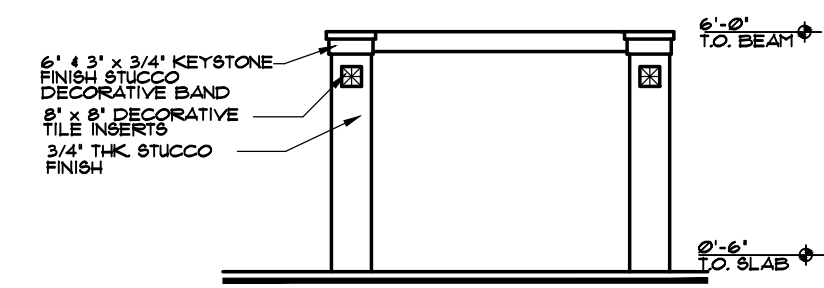


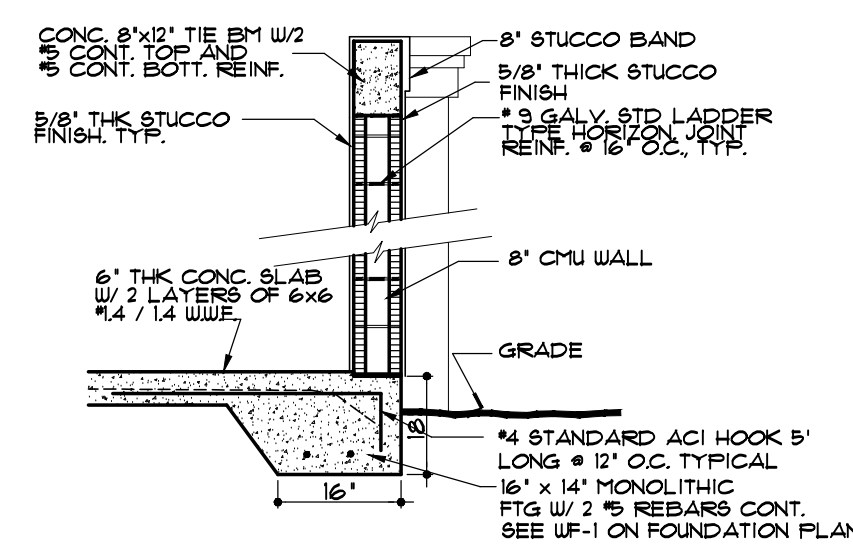
DUMPSTER ENCLOSURE PLAN
SCALE: 1/8"=1'-0" (A-2)



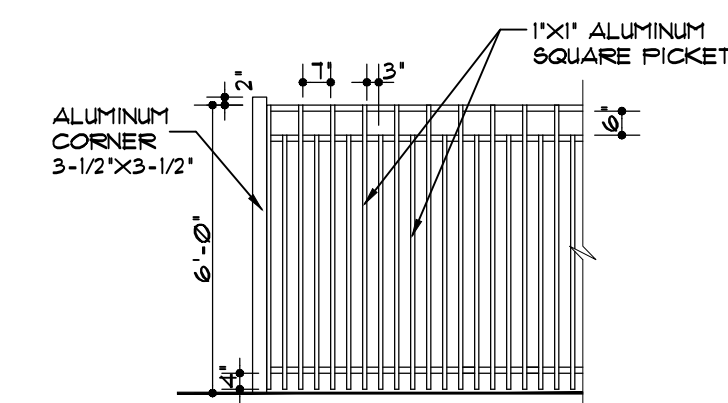
DUMPSTER FRONT ELEV.



DUMPSTER SIDE ELEV.
SCALE: 1/8"=1'-0"



DUMPSTER WALL SECTION
SCALE: NTS (B-A-2)



FENCE DETAIL
SCALE: 1/4"=1'-0" (C-A-2)



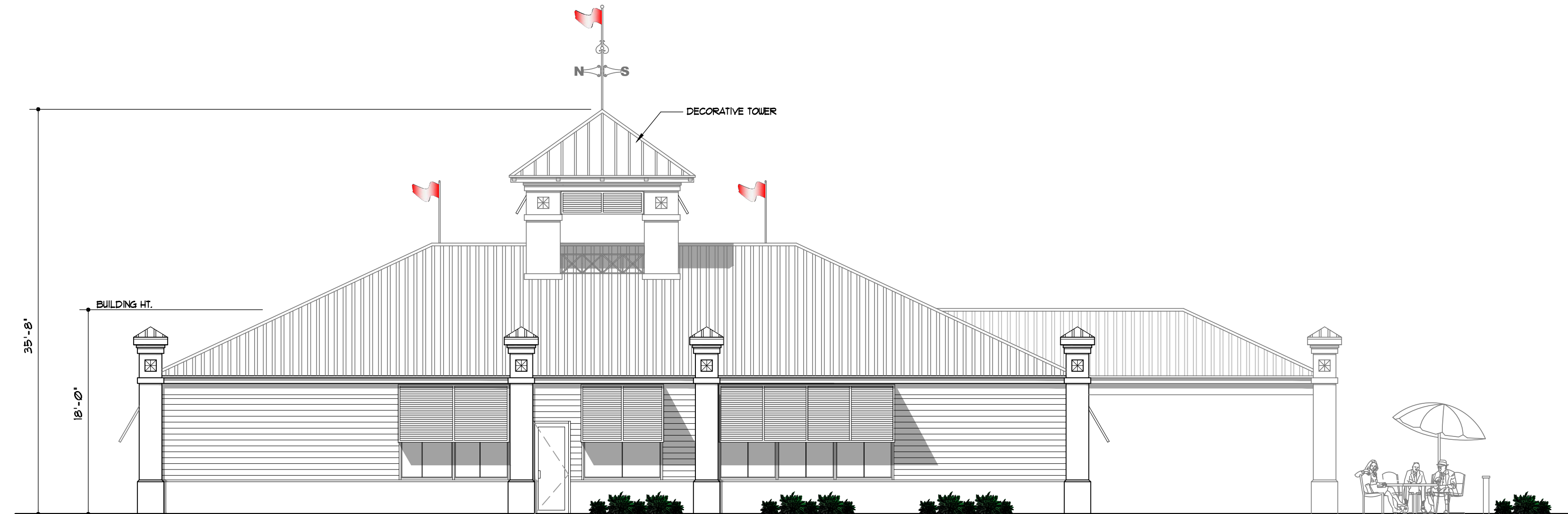
EAST ELEVATION
SCALE: 1/8"=1'-0"



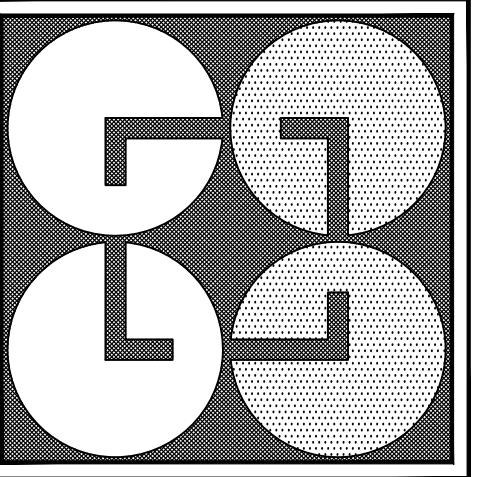
NORTH ELEVATION
SCALE: 1/8"=1'-0"



SOUTH ELEVATION
SCALE: 1/8"=1'-0"



WEST ELEVATION
SCALE: 1/8"=1'-0"



GUTIERREZ & LOZANO ARCHITECTS

2830 W. STATE ROAD 84, SUITE 117
FT. LAUDERDALE, FL. 33312
PHONE: (954) 321-3442
FAX: (954) 321-3864
WWW.GUTIERREZLOZANO.COM

| REVISIONS | |
|-----------|-------------------------|
| △ | DRC COMMENTS 6-03-15 |
| △ | DRC II COMMENTS 6-29-15 |
| | |
| | |
| | |

MANUEL GUTIERREZ
STATE OF FLA. REG. No. 8253

SEAL

CARLOS LOZANO
STATE OF FLA. REG. No. 0014722

PROPOSED SITE PLAN FOR:
DANIA BEACH MEGAPORT
AT:
441 NE 2ND STREET
DANIA BEACH, FL.

SHEET TITLE :
ELEVATIONS
& DUMPSTER

JOB No.:

DATE: 05/18/15

SHEET
A-2
OF